

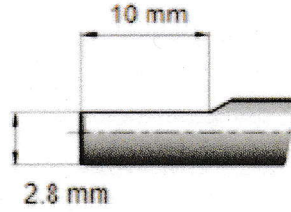
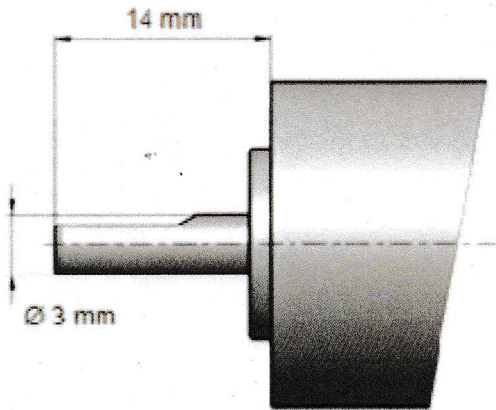
TECHNICAL SPECIFICATIONS AND OTHER RELATED REQUIREMENTS

SI No.	Description of items	Quantity
PUR/31/DMS/MP/P/2020-21		
1.	METAL BRUSHED MOTOR WITH PLANETARY GEARHEAD, SENSOR/ENCODER MAKE AND MODEL : MAXON, DCX16S + GPX19C + ENX10EASY CONSISTS OF : - MOTOR – DCX16S GB KL 12V - PLANETARY GEARHEAD – GPX19 C 172:1 - SENSOR – ENX10 EASY 256IMP	6 Nos.
2.	MINIATURISED MOTOR AND GEARBOX MAKE AND MODEL : MAXON, DCX16S + GPX16C CONSISTS OF: - MOTOR – DCX16S EB KL 3V - PLANETARY GEARHEAD – GPX16C 1135:1 SPECIAL INSTRUCTION: CUSTOMIZED SHAFT AND FLAT LENGHTS AS PER ATTACHED DRAWING.	6 Nos.

1. WARRANTY

1.1. STANDARD OEM WARRANTY.

Drawing for Customized Shaft and Flat Length for Items at Sl. No. 2 (6 Nos.)



Shaft length in mm

14

8 - 20 mm
Tolerance (0 / -0.7)

Length of flat in mm

10

3 - 10.1 mm
Tolerance (0.2 / 0)

Shaft diameter in mm

3

Tolerance (-0.005 / -0.015)

Height of flat in mm

2.8

2.3 - 2.9 mm
Tolerance (0 / -0.1)

W. P. ...
5.6.2020